



# TRIUNFO SANITATION DISTRICT

A PUBLIC AGENCY

March 21, 2011

Board of Directors  
Triunfo Sanitation District  
Ventura County, California

## **NEW CONFERENCE TABLES FOR BOARD MEETING ROOM**

### **Summary**

Director Orkney requested an item to discuss the possibility of purchasing new conference tables for the Board meeting room to better facilitate communication during Board meetings.

### **Staff Report/Background**

In March 2004 the Triunfo Sanitation District (District) began to meet in the Oak Park Library Film & Lecture Room. The District donated chairs, portable folding tables, and audio visual equipment to the library in exchange for the use of the meeting room. The tables fold and are stored in a closet when not in use; however, they are quite heavy and cumbersome and they have become a bit uneven. Director Orkney requested that staff investigate the cost for conference tables that would better facilitate communication during Board meetings and that would be similar to the curved tables used by the Oak Park Municipal Advisory Council and Ventura Regional Sanitation District Board of Directors.

Staff has conducted some preliminary research into the cost of curved and trapezoid-shaped tables. In order to accommodate both the TSD Board and the Las Virgenes-Triunfo JPA, at least three trapezoid-shaped tables and four rectangular shaped tables would need to be purchased. The cost for trapezoid-shaped tables purchased through Office Depot would be \$229.65 each plus tax, and the cost for rectangular-shaped tables would be \$199.69 each plus tax. The total estimated cost is \$1,610.45. Unfortunately, these tables cannot be folded and stored in the closet.

Staff was also able to locate tables through Office Depot that can nest for compact storage. The cost for one curved-shaped table is \$395.99 plus tax, and the cost for one rectangular-shaped table is \$356.39 plus tax. The total estimated cost for three curved-shaped tables and four rectangular-shaped tables is \$2,653.13.

*Item 15-1*

Staff has sought input from the Librarian and staff at the Oak Park Library because any new tables would need to accommodate their needs as well. Their main concerns are the weight of the tables and the ability to move the tables in order to accommodate the various activities in the Film & Lecture Room. They expressed a preference for nesting tables that can be folded and rolled away, or for any type of table that is lightweight, easy to store, and easy to clean.

Attached is information regarding the tables that were researched by staff. If directed, staff could investigate additional options and alternatives.

If you have any questions please call me at 805-658-4602 or e-mail me at [DougAnders@vrsd.com](mailto:DougAnders@vrsd.com).

**Fiscal Impact**


Cost for new tables could range from approximately \$300 to \$2,700.

**Recommendation**

It is recommended that the Board discuss the possibility of purchasing new conference room tables and direct staff as appropriate.

Enc.

APPROVED FOR MARCH 28, 2011 AGENDA

  
\_\_\_\_\_  
Doug Anders – Acting District Manager

---

**From:** Janna Orkney [mailto:jannaorkney@yahoo.com]  
**Sent:** Friday, February 25, 2011 10:30 AM  
**To:** Josie Guzman  
**Cc:** Doug Anders  
**Subject:** tables for board meetings

Hi Josie,

I just found a photo of the Oak Park MAC and they sitting at tables similar to what you have at the VRSD board room. Would you have time to research where these tables are sold and what they cost?

Thank you,

Janna

Here is the photo:



15-3

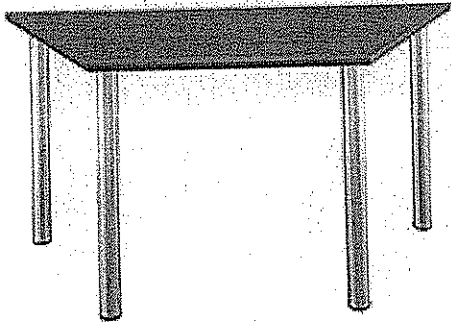
# Bush® Aspen Conference Table, Trapezoid, 29"H x 56 3/4"W x 24 5/8"D, Hansen Cherry

Item # 302080 Entered Item # 302080

A versatile solution for meeting and training rooms

Ideal for the company that needs to maximize the use of a multipurpose room. Tables configure easily into diverse meeting or training configurations. Create boardroom, round-table, panel discussion or traditional classroom setups.

LEARN MORE



Available\*  Delivery available

Sold in stores

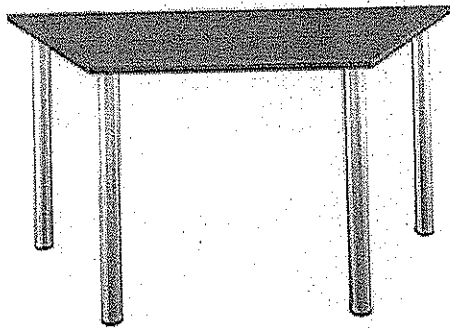
See shipping and availability details

Special Order Item

Contains Recycled Content

Non Returnable

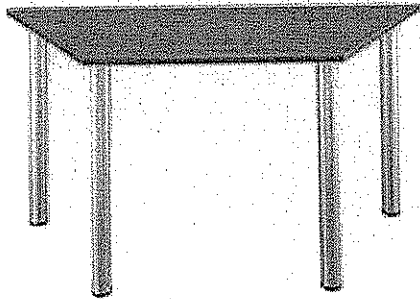
~~PREFERRED~~



Your Price:  
\$229.65  
/ each

Protect your investment for just pennies a day From day one, if your covered product fails - we repair or replace it  
2-Year Furniture Replacement Plan — Finish, Fabric & Structural Coverage \$39.59  
Best Value  
Decline protection

## DESCRIPTION



Roll over to Zoom

- A versatile solution for meeting and training rooms
- Ideal for the company that needs to maximize the use of a multipurpose room.
- Tables configure easily into diverse meeting or training configurations.
- Create boardroom, round-table, panel discussion or traditional classroom setups.
- Easy assembly is required.
- Backed by the manufacturer's 10-year limited warranty.

## PRODUCT DETAILS

Item #	302080
Manufacturer #	TS85403
manufacturer	Bush Industries
brand name	Bush
color	Hansen Cherry
height	29 inches
width	56 3/4 inches
depth	24 5/8 inches
table shape	trapezoid
construction	particleboard
for what kinds of tasks	conferences
adjustable height	no
base included	yes
workspace type	business office
warranty length	10-year limited
assembly required	yes

\*Inventory validated when item(s) is added to cart.

Copyright ©2011 by Office Depot, Inc. All rights reserved. Prices shown are in U.S. Dollars. Prices are subject to change based on your order and delivery location(s) and the applicable retail store location. All orders are subject to the Terms of Use.

15-4

# Bush® Aspen Conference Table, Rectangular, 29"H x 56 3/4"W x 28 3/8"D, Hansen Cherry

Item # 302008 Entered Item # 302008

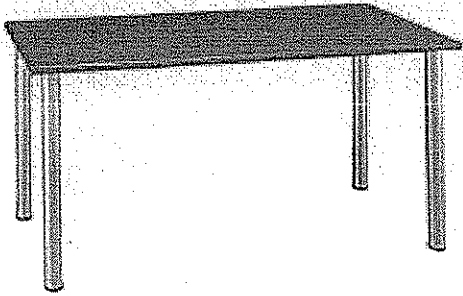
*A versatile solution for meeting and training rooms*

Ideal for the company that needs to maximize the use of a multipurpose room.

Tables configure easily into diverse meeting or training configurations.

Create boardroom, round-table, panel discussion or traditional classroom setups.

LEARN MORE



Available\*  Delivery available

Sold in stores

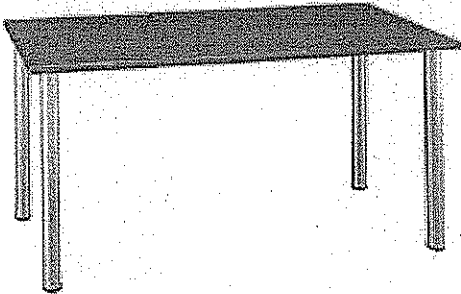
See shipping and availability details

Special Order Item

Contains Recycled Content

Non Returnable

~~PREFERRED~~



Your Price:

\$199.69

/ each

Protect your investment for just pennies a day From day one. If your covered product fails - we repair or replace it  
2-Year Furniture Replacement Plan — Finish, Fabric & Structural Coverage \$39.59  
Best Value  
Decline protection

## DESCRIPTION

- A versatile solution for meeting and training rooms
- Ideal for the company that needs to maximize the use of a multipurpose room.
- Tables configure easily into diverse meeting or training configurations.
- Create boardroom, round-table, panel discussion or traditional classroom setups.
- Easy assembly is required.
- Backed by the manufacturer's 10-year limited warranty.

## PRODUCT DETAILS

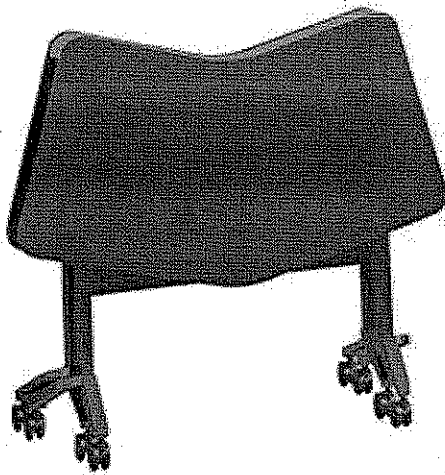
Item #	302008
Manufacturer #	TS85402
manufacturer	Bush Industries
brand name	Bush
color	Hansen Cherry
height	29 inches
width	56 3/4 inches
depth	28 3/8 inches
table shape	rectangular
construction	particleboard
for what kinds of tasks	conferences
adjustable height	no
base included	yes
workspace type	business office
warranty length	10-year limited
assembly required	yes

Roll over to Zoom

\*Inventory validated when item(s) is added to cart.

Copyright ©2011 by Office Depot, Inc. All rights reserved. Prices shown are in U.S. Dollars. Prices are subject to change based on your order and delivery location(s) and the applicable retail store location. All orders are subject to the Terms of Use.

15-5



## Mayline® Flip-N-Go™ Training Table, 29"H x 48"W x 24"D, Regal Mahogany/Black

Item # 671379 Entered Item # 671379  
 Dual-sided levers let you quickly flip the top for reconfiguration  
 Tables nest easily for compact storage.  
 Conveniently connect the tables together with an optional ganging kit.  
 Thermally fused laminate tops are supported by black steel bases.  
 LEARN MORE

Available\*  Delivery only

Special Order Item  
 Non Returnable

Your Price:  
 \$395.99  
 / each

Protect your investment for just pennies a day From day one, if your covered product fails - we repair or replace it  
 2-Year Furniture Repair Plan — Finish, Fabric & Structural Coverage \$74.24  
 Best Value  
 Decline protection

### DESCRIPTION

Dual-sided levers let you quickly flip the top for reconfiguration

- Tables nest easily for compact storage.
- Conveniently connect the tables together with an optional ganging kit.
- Thermally fused laminate tops are supported by black steel bases.
- 4 casters offer mobility with locking features for stability.
- Includes integral modesty panel with built-in cable trough to keep wires organized.
- Minimal assembly required.
- Backed by the manufacturer's limited lifetime warranty.
- Greener choice — contains 48% total recycled content.

### PRODUCT DETAILS

Item #	671379
Manufacturer #	LT24T5DY
manufacturer	Mayline
brand name	Mayline
color	Regal Mahogany/Black
height	29 inches
width	48 inches
depth	24 inches
construction	laminate/steel
for what kinds of tasks	training
workspace type	business office
adjustable height	no
casters	yes
warranty length	limited lifetime
assembly required	yes
postconsumer recycled content	0 %
total recycled content	48 %

\*Inventory validated when item(s) is added to cart.

Copyright ©2011 by Office Depot, Inc. All rights reserved. Prices shown are in U.S. Dollars. Prices are subject to change based on

15-6



## Mayline® Flip-N-Go™ Training Table, 29"H x 60"W x 24"D, Regal Mahogany/Black

Item # 671316 Entered Item # 671316  
 Dual-sided levers let you quickly flip the top for reconfiguration  
 Tables nest easily for compact storage.  
 Conveniently connect the tables together with an optional ganging kit.  
 Thermally fused laminate tops are supported by black steel bases.  
 LEARN MORE

Available\*  Delivery only

Special Order Item  
 Non Returnable

Your Price:  
 \$366.29  
 / each

Protect your investment for just pennies a day From day one, If your covered product fails - we repair or replace it  
 2-Year Furniture Repair Plan — Finish, Fabric & Structural Coverage \$74.24  
 Best Value  
 Decline protection

### DESCRIPTION

Dual-sided levers let you quickly flip the top for reconfiguration

- Tables nest easily for compact storage.
- Conveniently connect the tables together with an optional ganging kit.
- Thermally fused laminate tops are supported by black steel bases.
- 4 casters offer mobility with locking features for stability.
- Includes integral modesty panel with built-in cable trough to keep wires organized.
- Minimal assembly required.
- Backed by the manufacturer's limited lifetime warranty.
- Greener choice — contains 48% total recycled content.

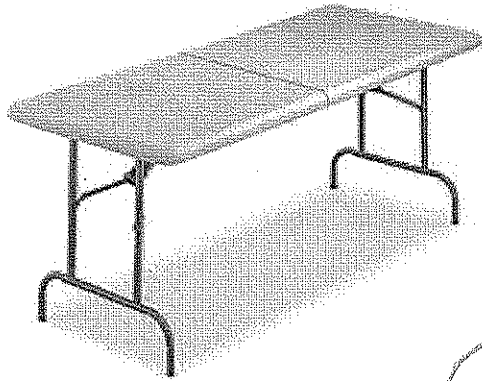
### PRODUCT DETAILS

Item #	671316
Manufacturer #	LF2460TRMH
manufacturer brand name	Mayline
color	Regal Mahogany/Black
height	29 inches
width	60 inches
depth	24 inches
construction	laminate/steel
for what kinds of tasks	training
workspace type	business office
adjustable height	no
casters	yes
warranty length	limited lifetime
assembly required	yes
postconsumer recycled content	0 %
total recycled content	48 %

\*Inventory validated when item(s) is added to cart.

Copyright ©2011 by Office Depot, Inc. All rights reserved. Prices shown are in U.S. Dollars. Prices are subject to change based on

15-7



## Penguin Resin Folding Table, 29"H x 60"W x 30"D, Granite Gray

Item # 729693 Entered Item # 729693  
*Folds in half for simple, compact storage*  
 Constructed of blow-molded, high-density polyethylene.  
 Lightweight design is dent and scratch resistant.  
 Handle provides easy carrying.  
 LEARN MORE

Available\*  Delivery only

Contains Recycled Content

Your Price:  
 \$49.49  
 / each

### DESCRIPTION

Folds in half for simple, compact storage

- Constructed of blow-molded, high-density polyethylene.
- Lightweight design is dent and scratch resistant.
- Handle provides easy carrying.
- Save time — no assembly is required.
- Backed by the manufacturer's 5-year limited warranty.
- Greener choice — contains 35% total recycled content.

### PRODUCT DETAILS

Item #	729693
Manufacturer #	65459
manufacturer	Iceberg
brand name	Penguin
tabletop color	Gray Granite
tabletop construction	polyethylene
table shape	rectangular
base color	Gray
base construction	steel
height	29 inches
width	60 inches
depth	30 inches
adjustable height	no
levelers	no
leg caps	yes
furniture style	traditional
for what kinds of tasks	multipurpose
warranty length	5-year limited
assembly required	no
postconsumer recycled content	0 %
total recycled content	35 %

\*Inventory validated when item(s) is added to cart.

Copyright ©2011 by Office Depot, Inc. All rights reserved. Prices shown are in U.S. Dollars. Prices are subject to change based on your order and delivery location(s) and the applicable retail store location. All orders are subject to the Terms of Use.

15-8



## Iceberg Premium Wood Laminate Folding Table, 29"H x 72"W x 18"D, Mahogany Top, Brown Base

Item # 743495 Entered Item # 743495  
 Great to have on hand for conferences and meetings  
 Heavy duty leg supports and gravity leg lock for secure set-up.  
 Wear-resistant, 3/4" melamine-over-particle board top and melamine sealed underside.  
 Full-length steel support skirt and vinyl, T-molded, bull-nose edges.  
[LEARN MORE](#)

Available\*  Delivery available

Sold in stores

[See shipping and availability details](#)

~~PREFERRED~~

Your Price:  
 \$143.54  
 / each

### DESCRIPTION

Great to have on hand for conferences and meetings

- Heavy duty leg supports and gravity leg lock for secure set-up.
- Wear-resistant, 3/4" melamine-over-particle board top and melamine sealed underside.
- Full-length steel support skirt and vinyl, T-molded, bull-nose edges.
- 1" diameter, heavy gauge steel legs with heavy duty protective foot caps.
- 4-piece steel apron with 4 plastic protective corners for safe stacking.
- Folds to 2 1/2" for easy storage.
- Backed by the manufacturer's 5-year limited warranty.

### PRODUCT DETAILS

Item #	743495
Manufacturer #	ICE55284
manufacturer	Iceberg
brand name	Iceberg
tabletop color	Mahogany
tabletop construction	melamine
table shape	rectangular
base color	Brown
base construction	steel
height	29 inches
width	72 inches
depth	18 inches
adjustable height	no
furniture style	traditional
for what kinds of tasks	training
workspace type	business office
warranty length	5-year limited
assembly required	no
postconsumer recycled content	0 %
total recycled content	0 %

\*Inventory validated when item(s) is added to cart.

Copyright ©2011 by Office Depot, Inc. All rights reserved. Prices shown are in U.S. Dollars. Prices are subject to change based on your order and delivery location(s) and the applicable retail store location. All orders are subject to the Terms of Use.

15-9