



TRIUNFO SANITATION DISTRICT

A PUBLIC AGENCY

April 21, 2011

Board of Directors
Triunfo Sanitation District
Ventura County, California

VERIZON WIRELESS MICROWAVE PANEL MODIFICATION

Summary

Verizon Wireless (Verizon) has a Site License Agreement with Triunfo Sanitation District (Triunfo) for the operation of antenna facilities at the Kilburn water tank site. The lease states that the antennas and support structures may be modified or substituted from time to time. Verizon would like to change out the existing microwave antenna located on the Kilburn tank.

Attached to this report is the letter of authorization requested by Verizon, proposed antenna specifications, and a photograph of the existing antenna. The proposed antenna and existing antenna have identical specifications.

Background

Triunfo entered into Contract T-96-4 with SMSA Limited Partnership (now doing business as Verizon Wireless) on July 24, 1996. The term of the lease is ten (10) years with the tenant having the right to extend the lease for two (2) additional five year terms. The lease is automatically renewed unless the tenant notifies Triunfo of its intention not to renew its lease at least ten (10) days prior to the expiration of the term. The next renewal term begins on May 31, 2011.

The lease allows the tenant to use site for the transmission and reception of radio communication signals, for the construction, maintenance and operation of a communication facility, including towers, antennas, and antenna support structures.

Financial Impact

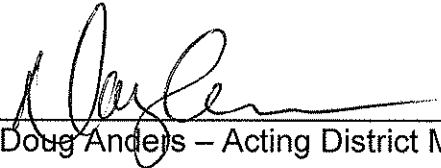
All activities proposed by the recommended action will be at the expense of Verizon Wireless.

Item 3-1

Recommendation

It is recommended that Board authorize the Chairman to sign the attached letter of authorization to allow Verizon Wireless to make a like-for-like swap of the existing microwave antenna on the Kilburn water tank.

APPROVED FOR APRIL 25, 2011 AGENDA



Doug Anders – Acting District Manager



c/o Core Communications
2903-H Saturn Street
Brea CA 92821

Doug Anders
Triunfo Sanitation District
1001 Partridge Drive, Suite 150
Ventura, CA 93003

Re: Notification of MW modification
Verizon Wireless Site- Oak Park

Dear Doug,

In accordance with Site License Agreement between Los Angeles SMSA Limited Partnership d/b/a Verizon Wireless, and Triunfo Sanitation District., Verizon Wireless would like to swap the existing MW on the water tank located at 4996 Kilburn Ct., Oak Park CA,. Verizon will call at least two days ahead of the work to notify the landlord.

Your consent for this upgrade is requested. If you have any questions about this project, please give me a call @ 714-292-7318. Thank you for your time and assistance.

Sincerely,

Jenny Biniasz
Core Communications
Consultant for Verizon Wireless
2903-H Saturn St
Brea CA 92821
714-292-7318
jbiniasz@corecomgroup.com

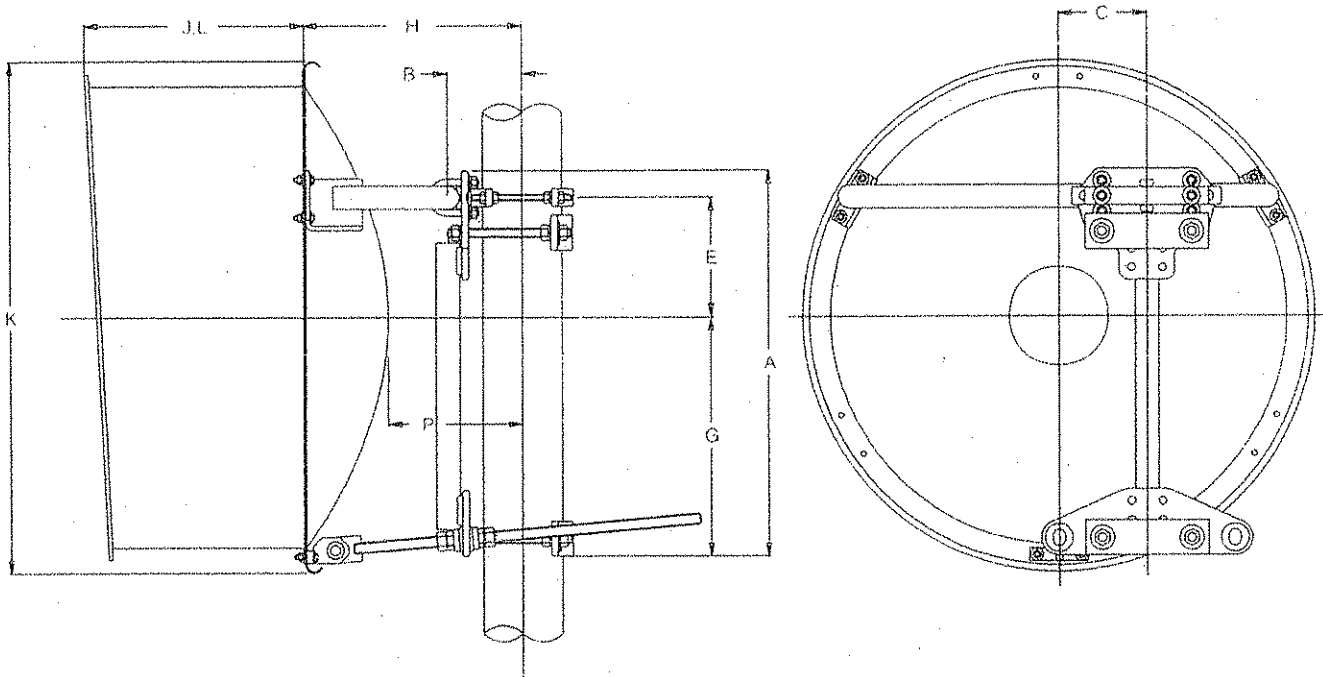
I have reviewed and approve the above modification.

By: _____

Signed: _____

Its: _____

Date: _____

2 ft. - 2.5 ft. Dimensions


2 ft. (0.6) - 2.5 ft. (0.8) Standard & High Performance Mechanical Specifications

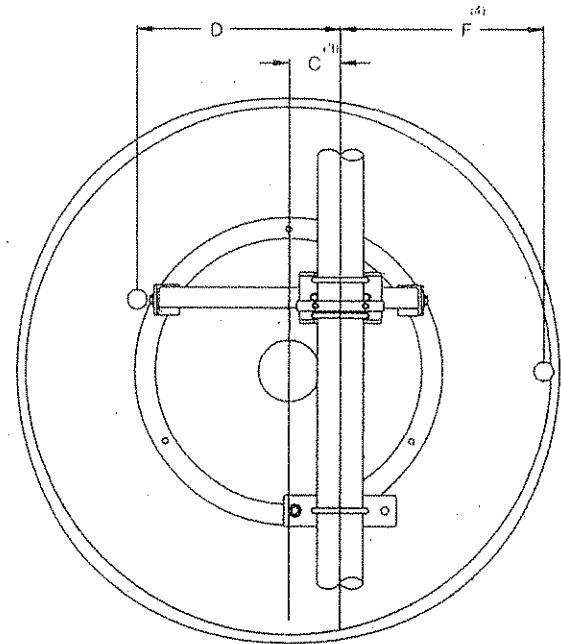
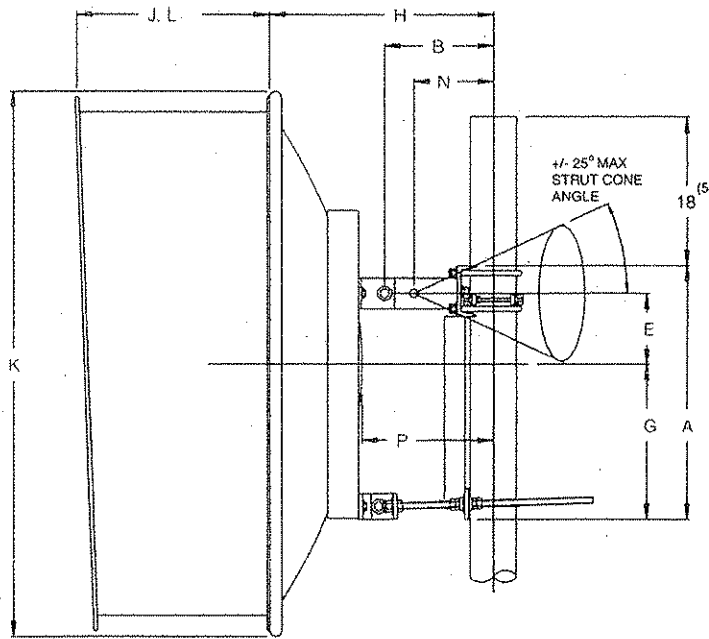
Note: This figure is for dimensional information only. Details of the various antennas may differ from those shown.

Antenna Size		2 ft. in.	(0.6) (mm)	2.5 ft. in.	(0.8) (mm)
A	Mount Length	21.9	(555)	26.1	(665)
B	Pivot Point (<i>horizontal</i>)	4.2	(105)	4.2	(105)
C	Center Line Offset	5 ⁽³⁾	(127)	5 ⁽³⁾	(127)
E	Pivot Point (<i>vertical</i>)	6.8	(175)	8.3	(210)
G	Antenna Centerline	14.6	(370)	17.3	(440)
H	Reflector Length	12.3	(310)	14.0	(355)
J	Shroud Length, Low Profile	9.5	(240)	-	-
J	Shroud Length	12.5	(320)	13.9	(355)
J	Shroud Length, HED2-144, HED2-127	15.2	(385)	-	-
K	Antenna Diameter	29.0	(735)	35.0	(890)
L	Radome Length (<i>Standard Antenna</i>)	13.4	(340)	16.8	(425)
P	Reflector Vertex	7.6	(195)	8.7	(220)
Q	Mast Diameter	1.9 - 4.5 ⁽¹⁾ (60-115)		1.9 - 4.5 ⁽¹⁾ (60-115)	
Azimuth Adj. Range, (<i>Fine</i>)		+/-5°		+/-5°	
Elevation Adj. Range ⁽²⁾		+20° / -5° ⁽²⁾		+20° / -5° ⁽²⁾	

- Notes:
- Survival wind speed is reduced to 110 mph (177km/hr) when standard antenna without radome is mounted on mast diameters smaller than 2.375" (60mm).
 - Invert mount for +5° / -20° elevation range.
 - Offset left or right without inverting mount.
Product information subject to change without notice.

Parabolic shipping information is available in the Shipping Information section of this catalog

13-4
117



4 ft. - 6 ft. Dimensions

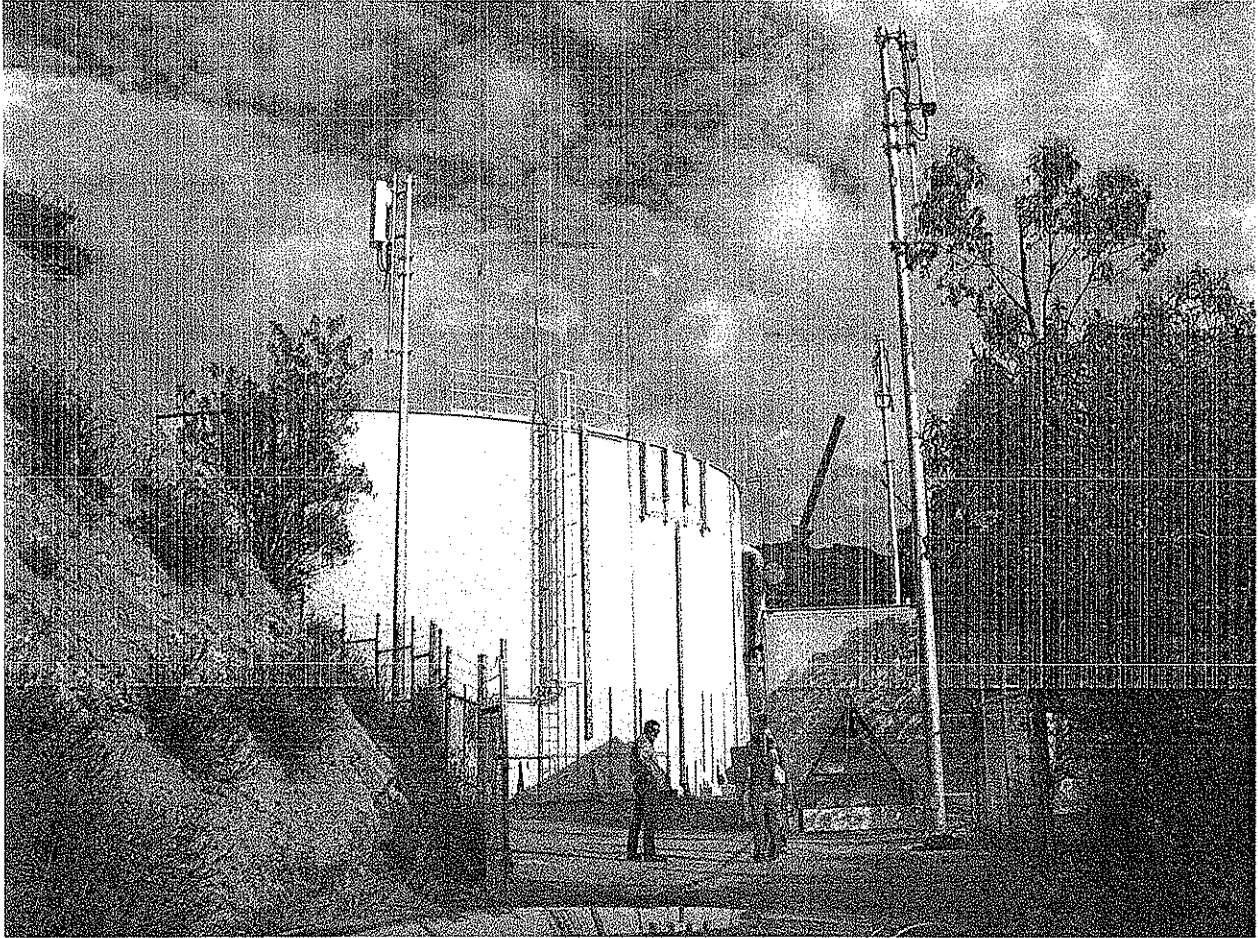
4 ft. (1.2) - 6 ft. (1.8) Standard & High Performance Mechanical Specifications

Note: This figure is for dimensional information only. Details of the various antennas may differ from those shown.

Antenna Size		4 ft.	(1.2)	6 ft.	(1.8)	6 ft.	(1.8)
		in.	(mm)	in.	(mm)	Deep Dish Cat. "A"	
A	Mount Length	24.3	(615)	24.3	(615)	24.3	(615)
B	Pivot Point	10.5	(265)	10.5	(265)	10.5	(265)
C	Center Line Offset	5.0	(125)	5.0	(125)	5.0	(125)
D	Mount Strut (horizontal)	20.9 ⁽⁴⁾	(530)	20.9	(530)	20.9	(530)
E	Mount Strut (Pivot Point vertical)	6.9 ⁽⁴⁾	(175)	6.9	(175)	6.9	(175)
F	Fixed Side Strut (horizontal)		N/A	31.5 ⁽⁴⁾	(800)	33.3 ⁽⁴⁾	(845)
G	Antenna Centerline (above shearstop)	14.6	(370)	14.6	(370)	14.6	(370)
H	Reflector Length	21.6	(550)	29.5	(750)	31.1	(790)
J	Shroud Length	19.5	(495)	25.7	(655)		
		25.9	(660)	32.7	(830)	32.0	(815)
K	Antenna Diameter	53.0	(1345)	77.5	(1970)	81.0	(2055)
L	Radome Length (Standard Antenna)	23.0	(585)	29.0	(735)	29.0	(735)
N	Mount Strut (depth)	7.7	(195)	7.7	(195)	7.7	(195)
P	Reflector Vertex	13.3	(340)	13.7	(350)	13.7	(350)
Q	Mast Diameter	4.5 ⁽¹⁾	(115)	4.5 ⁽¹⁾	(115)	4.5 ⁽¹⁾	(115)
	Struts Supplied (adjustable)		optional	1		1	
	Struts Supplied (fixed)		optional	optional		optional	
	Azimuth Adjustable Range (Fine)		+/-5°	+/-5°		+/-5°	
	Elevation Adjustment Ranges		+50°/-5° ⁽²⁾	+50°/-5° ⁽²⁾		+50°/-5° ⁽²⁾	

Parabolic shipping information is available in the Shipping Information section of this catalog

- (1) Optional Mast Clamp Kits are available for other mast diameters (see page 121).
- (2) Invert mount for +5° / -5° elevation range.
- (3) Offset left or right without inverting mount.
- (4) Optional Strut location. See page 121 for optional struts.
- (5) For greater than 40° elevation on a 6 ft. (1.8) antenna, mast must not extend beyond 18 inch (457 mm).



13-6