



# TRIUNFO SANITATION DISTRICT

May 19, 2011

A PUBLIC AGENCY

Board of Directors  
Triunfo Sanitation District  
Ventura County, California

## VERIZON WIRELESS MICROWAVE PANEL MODIFICATION

### Summary

Verizon Wireless (Verizon) has a Site License Agreement with Triunfo Sanitation District (Triunfo) for the operation of antenna facilities at the Kilburn water tank site. The lease states that the antennas and support structures may be modified or substituted from time to time. Verizon would like to change out the existing microwave antenna located on the Kilburn tank.

Attached to this report is the letter of authorization requested by Verizon, proposed antenna specifications, and a photograph of the existing antenna. The proposed antenna and existing antenna have identical specifications. Also attached to this staff report is additional information provided by Verizon Wireless' representative in response to the Board's discussion on April 25, 2011.

### Background

Triunfo entered into Contract T-96-4 with SMSA Limited Partnership (now doing business as Verizon Wireless) on July 24, 1996. The term of the lease is ten (10) years with the tenant having the right to extend the lease for two (2) additional five year terms. The lease is automatically renewed unless the tenant notifies Triunfo of its intention not to renew its lease at least ten (10) days prior to the expiration of the term. The next renewal term begins on May 31, 2011.

The lease allows the tenant to use site for the transmission and reception of radio communication signals, for the construction, maintenance and operation of a communication facility, including towers, antennas, and antenna support structures.

### Financial Impact

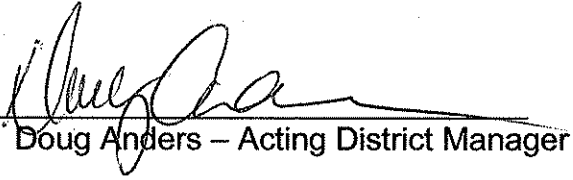
All activities proposed by the recommended action will be at the expense of Verizon Wireless.

Item 13-1

**Recommendation**

It is recommended that Board authorize the Chairman to sign the attached letter of authorization to allow Verizon Wireless to make a like-for-like swap of the existing microwave antenna on the Kilburn water tank.

APPROVED FOR May 19, 2011 AGENDA

  
\_\_\_\_\_  
Doug Anders – Acting District Manager



May 11, 2011

Doug Anders  
Principal Analyst  
Ventura Regional Sanitation District  
1001 Partridge Drive, Suite 150  
Ventura, CA 93003

Dear Doug,

In response to your email dated May 9, 2011 in regards to the existing microwave antenna located on the water tank on Kilburn, in Oak Park. As we discussed previously this is a simple installation to remove and replace an existing antenna, no new equipment will be placed on this facility. Therefore there will be no visual impact to the facility or to the surrounding residents. Below are the answers to your questions in that email.

1. The microwave antenna is exactly the same size as the current model; I have attached the specification sheet for your reference.
2. There are no building permits needed for this modification it is a like for like swap and the current microwave is already permitted, therefore the city will not be approached for this modification
3. The antenna emits the same frequency and power as the existing microwave there are no health concerns related with this medication.
4. The process to remove and install the new microwave will take three nights; this work is performed in the maintenance window, between the hours of 11PM and 5am. No large trucks are needed to complete this work; therefore no residents will be disturbed by heavy equipment. The microwave will be installed on the existing bracket, which once again will not consist of any construction noise to disturb the residents. The three night schedule is as follows: First night is to install the MW within the shelter. Second night would be to hang and cut the

13-3

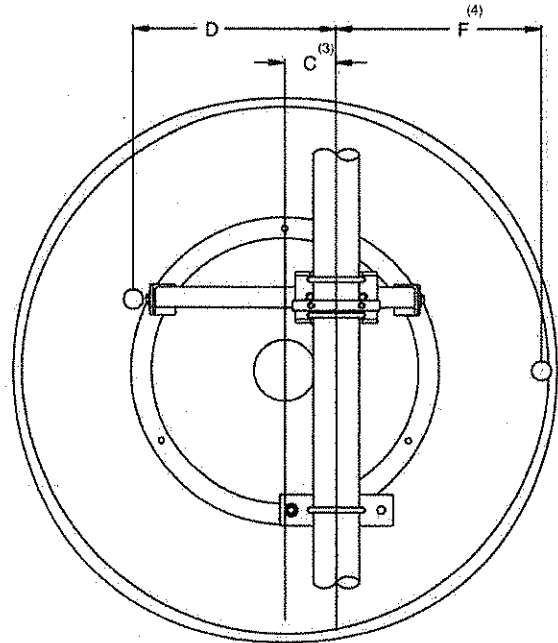
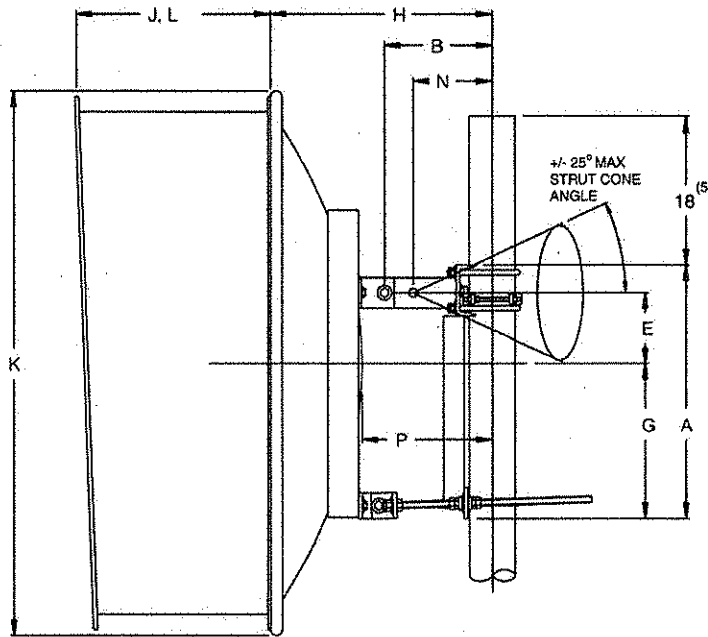
Microwave over. Third night we finish the fiber management within the shelter. So, the dish work would be one night. The general contractor hired to perform this work is aware of the sensitivity of the residents and will use extra precautions to not disturb the residents on Kilburn.

5. Verizon does not intend to notify the residents of this maintenance as it is routine, no new equipment or approvals are needed by the HOA or the city.

I hope this answers all your questions and concerns, please let me know if you require additional information at this time.

Respectively,

Jenny Biniasz  
Project Manager  
Core Development Services  
714-292-7318



4 ft. - 6 ft. Dimensions

## 4 ft. (1.2) - 6 ft. (1.8) Standard & High Performance Mechanical Specifications

Note: This figure is for dimensional information only. Details of the various antennas may differ from those shown.

Antenna Size		4 ft. (1.2)	6 ft. (1.8)	6 ft. (1.8)	
		in. (mm)	in. (mm)	Deep Dish Cat. "A"	
A	Mount Length	24.3 (615)	24.3 (615)	24.3	(615)
B	Pivot Point	10.5 (265)	10.5 (265)	10.5	(265)
C	Center Line Offset	5.0 (125)	5.0 (125)	5.0	(125)
D	Mount Strut (horizontal)	20.9 <sup>(4)</sup> (530)	20.9 (530)	20.9	(530)
E	Mount Strut (Pivot Point vertical)	6.9 <sup>(4)</sup> (175)	6.9 (175)	6.9	(175)
F	Fixed Side Strut (horizontal)	N/A	31.5 <sup>(4)</sup> (800)	33.3 <sup>(4)</sup>	(845)
G	Antenna Centerline (above shearstop)	14.6 (370)	14.6 (370)	14.6	(370)
H	Reflector Length	21.6 (550)	29.5 (750)	31.1	(790)
J	Shroud Length	19.5 (495)	25.7 (655)		
		25.9 (660)	32.7 (830)	32.0	(815)
K	Antenna Diameter	53.0 (1345)	77.5 (1970)	81.0	(2055)
L	Radome Length (Standard Antenna)	23.0 (585)	29.0 (735)	29.0	(735)
N	Mount Strut (depth)	7.7 (195)	7.7 (195)	7.7	(195)
P	Reflector Vertex	13.3 (340)	13.7 (350)	13.7	(350)
Q	Mast Diameter	4.5 <sup>(1)</sup> (115)	4.5 <sup>(1)</sup> (115)	4.5 <sup>(1)</sup>	(115)
	Struts Supplied (adjustable)	optional	1 optional	1 optional	
	Struts Supplied (fixed)	optional	optional	optional	
	Azimuth Adjustable Range (Fine)	+/-5°	+/-5°	+/-5°	
	Elevation Adjustment Ranges	+50°/-5° <sup>(2)</sup>	+50°/-5° <sup>(2)</sup>	+50°/-5° <sup>(2)</sup>	

Parabolic shipping information is available in the Shipping Information section of this catalog

- (1) Optional Mast Clamp Kits are available for other mast diameters (see page 121).
- (2) Invert mount for +5° / -50° elevation range.
- (3) Offset left or right without inverting mount.
- (4) Optional Strut location. See page 121 for optional struts.
- (5) For greater than 40° elevation on a 6 ft. (1.8) antenna, mast must not extend beyond 18 inch (457 mm).

13-5



c/o Core Communications  
2903-H Saturn Street  
Brea CA 92821

Doug Anders  
Triunfo Sanitation District  
1001 Partridge Drive, Suite 150  
Ventura, CA 93003

Re: Notification of MW modification  
Verizon Wireless Site- Oak Park

Dear Doug,

In accordance with Site License Agreement between Los Angeles SMSA Limited Partnership d/b/a Verizon Wireless, and Triunfo Sanitation District., Verizon Wireless would like to swap the existing MW on the water tank located at 4996 Kilburn Ct., Oak Park CA,. Verizon will call at least two days ahead of the work to notify the landlord.

Your consent for this upgrade is requested. If you have any questions about this project, please give me a call @ 714-292-7318. Thank you for your time and assistance.

Sincerely,

Jenny Biniasz  
Core Communications  
Consultant for Verizon Wireless  
2903-H Saturn St  
Brea CA 92821  
714-292-7318  
jbiniasz@corecomgroup.com

I have reviewed and approve the above modification.

By: \_\_\_\_\_

Signed: \_\_\_\_\_

Its: \_\_\_\_\_

Date: \_\_\_\_\_

13-6



13-7